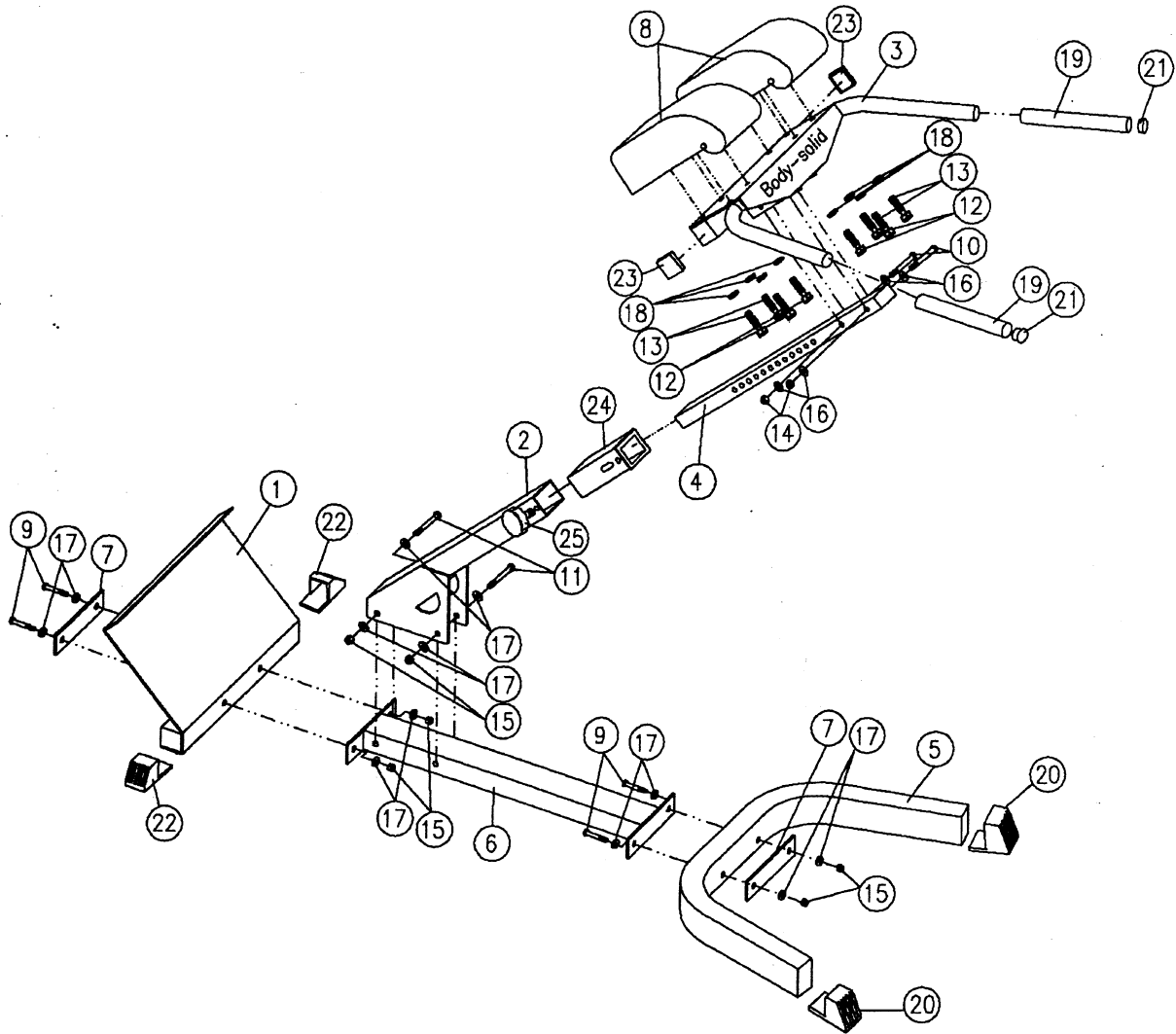


USER'S MANUAL

GHYP345

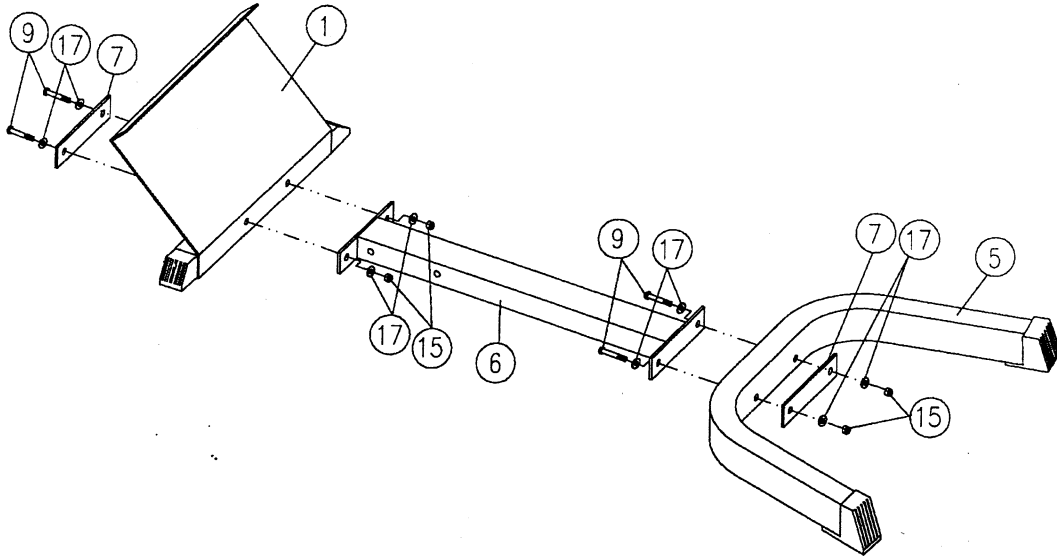
GHYP345 EXPLODED DRAGRAM



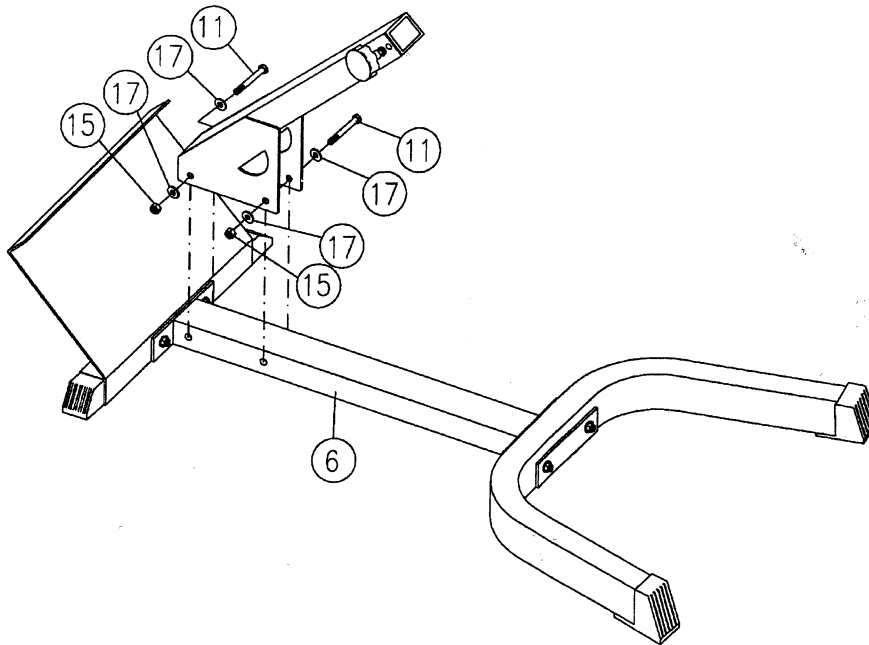
GHYP345 PART LIST

NO.	NAMES	QTY.
1	FOOT PUATE	1
2	ANGLED FRAME	1
3	PAD HOLDER	1
4	ADJUSTMENT BRACKET	1
5	FRONT FRAME	1
6	MAIN FRAME	1
7	FLAT PLATES 2"×7 3/4"	2
8	HYPER EXTENSION PADS	2
9	HEX HEAD BOLT 1/2"×3" PARTIAL THREAD	4
10	HEX HEAD BOLT 3/8"×3" PARTIAL THREAD	2
11	HEX HEAD BOLT 1/2"×4" PARTIAL THREAD	2
12	HEX HEAD BOLT 5/16"×3/4" PARTIAL THREAD	4
13	HEX HEAD BOLT 5/16"×2" PARTIAL THREAD	4
14	3/8"NYLON LOCK NUT	2
15	1/2"NYLON LOCK NUT	6
16	3/8" WASHER	4
17	1/2" WASHER	12
18	5/16" WASHER	8
19	12 1/2"HAND GRIP	2
20	3"×2"FOOT CAP	2
21	1 1/4" ROUND END CAP	2
22	2"×2" FOOT CAP	2
23	1 1/4"×1 1/4" END CAP	2
24	ADJUSTMENT SLEEVE	1

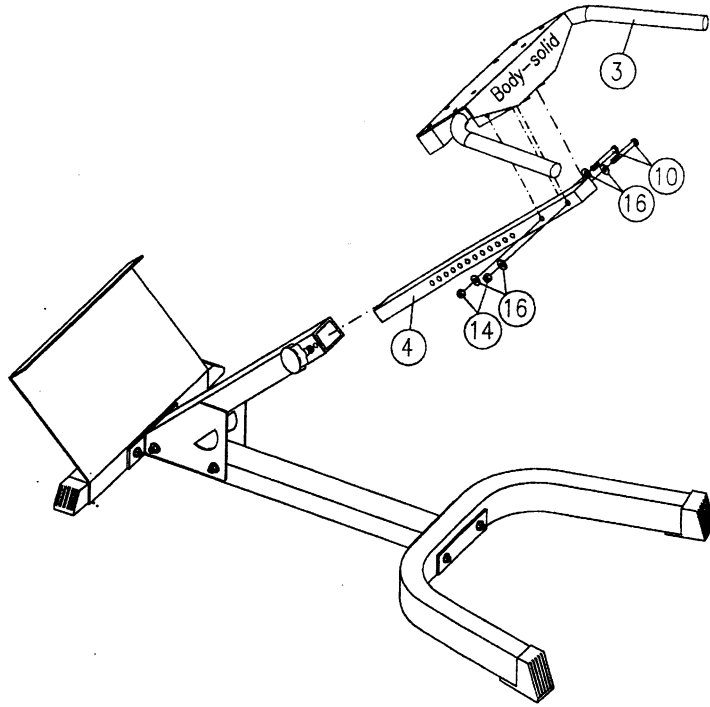
STEP 1



STEP 1



STEP 3



STEP 4

