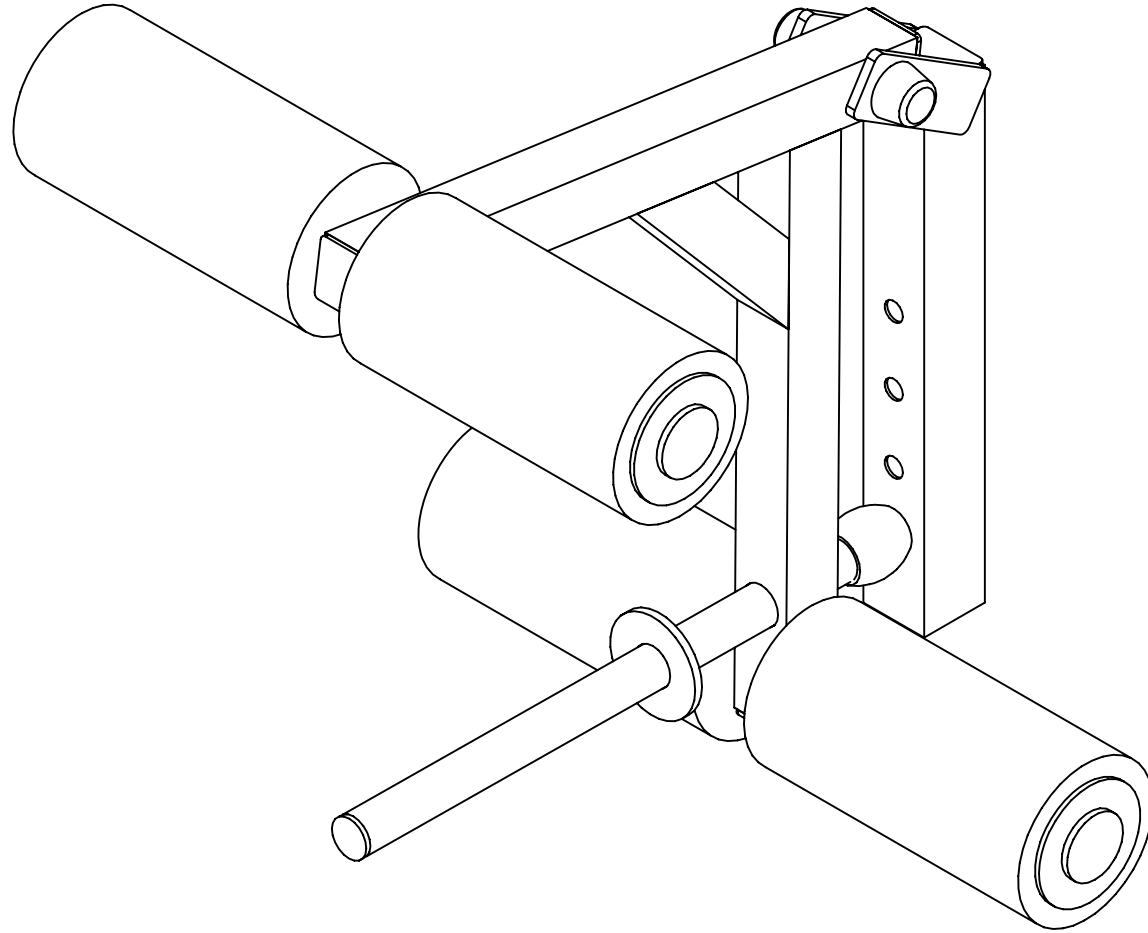


GLDA-1



VERSION 0506

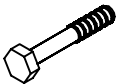
# GLDA-1

## HARDWARE ILLUSTRATION SHEET

## PARTS ILLUSTRATION SHEET

	Qty.
A1. 1/2"X3" HEX HEAD BOLT _____	[1PCS]
B1. 1/2" NYLON LOCK NUT _____	[1PCS]
C1. 1/2" ROUND END CAP WASHER _____	[2PCS]
D1. $\phi$ 1/2" BOLT CAP _____	[2PCS]
D2. 45X45 END CAP (9211-004) _____	[1PCS]
D3. 38X38 END CAP (9211-003) _____	[3PCS]
D4. $\phi$ 1" ROUND END CAP (8341-033) _____	[4PCS]
D5. $\phi$ 1" RUBBER CANE CAP (9212-019) _____	[1PCS]
D6. $\phi$ 1" ROUND END CAP (9211-016) _____	[1PCS]
D7. $\phi$ 4"X8" FOAM ROLLER (9161-009) _____	[4PCS]
D8. $\phi$ 3" NYLON WASHER (9214-008) _____	[4PCS]

A1



B1



C1



D1



D2



D3



D4



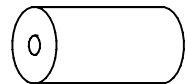
D5



D6



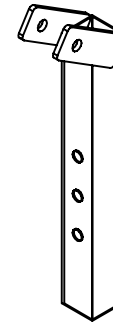
D7



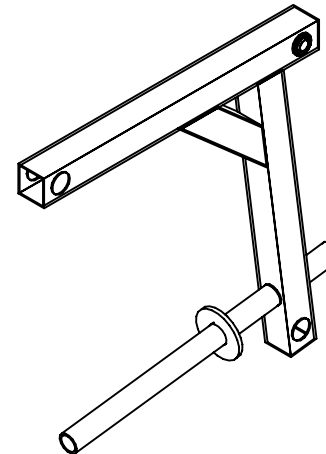
D8



A [1PCS]

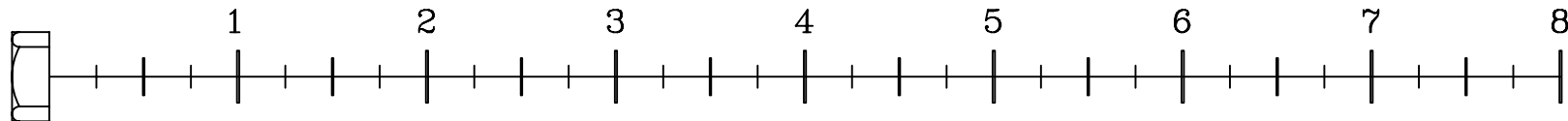
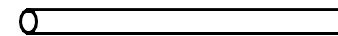


B [1PCS]



C [2PCS]

$\phi$ 1"x1.6tx483L



GLDA-1

